

C0322 – 300 lb Cube Ice Machine

Prodigy™ Modular Cube Ice Maker



Shown on B322S bin.

Features

Prodigy™ cubers use **significantly less energy and water** than other cube ice machines, exceeding pending California and Federal energy efficiency regulations.

Auto-Alert™ indicator lights constantly communicate about operating status and actually signal your staff when it's time to descale, sanitize, and more—making upkeep practically foolproof.

The patented **WaterSense™ adaptive purge control** delivers maximum reliability by reducing scale buildup for a longer time between cleanings.

Preventative maintenance is simpler than ever with easily-removed panels allowing clear access to internal components and a diagnostic code display insuring the right fix the first time. Reusable air filter is easily removable from the outside.

All external panel components are crafted for **optimal aesthetic appeal** through superior fit and finish.

An optional **advanced feature SmartBoard™** provides NAFEM data protocol and additional operational data that can be displayed on-screen or transmitted remotely, resulting in early alert and fast diagnosis of operating issues.

An optional **Vari-Smart™ ultrasonic ice level control** sensor allows you flexibility to program ice levels, for up to 7 days, keeping just the right amount of freshly made ice in the bin.

24 Hour Volume Production

| Air Cooled | | ARI |
|------------|-------|-----------|
| 70°F/21°C | Air | 90°F/32°C |
| 50°F/10°C | Water | 70°F/21°C |
| lb/kg | | lb/kg |
| 356/162 | | 255/116 |

| Water Cooled | | |
|--------------|-------|-----------|
| 70°F/21°C | Air | ARI |
| 50°F/10°C | Water | 90°F/32°C |
| lb/kg | | 70°F/21°C |
| | | lb/kg |
| 366/166 | | 329/150 |



Modular Bin Options

| Model Number | Dimensions W" x D" x H" | ARI Certified Bin Capacity lb/kg | Application Capacity lb/kg | Finish | Ship Weight lb/kg |
|--------------|-------------------------|----------------------------------|----------------------------|--------|-------------------|
| B222S | 22 x 34 x 32 | 190/86 | 242/110 | SS | 120/55 |
| B322S | 22 x 34 x 44 | 290/132 | 370/168 | SS | 140/64 |



Bin: B222S

Cube Ice



Small Cube
3/8" x 3/8" x 3/8"
(2.22 x 2.22 x .95 cm)

Medium Cube
7/8" x 7/8" x 7/8"
(2.22 x 2.22 x 2.22 cm)

Common ice form, ideal for mixed drinks.

Warranty

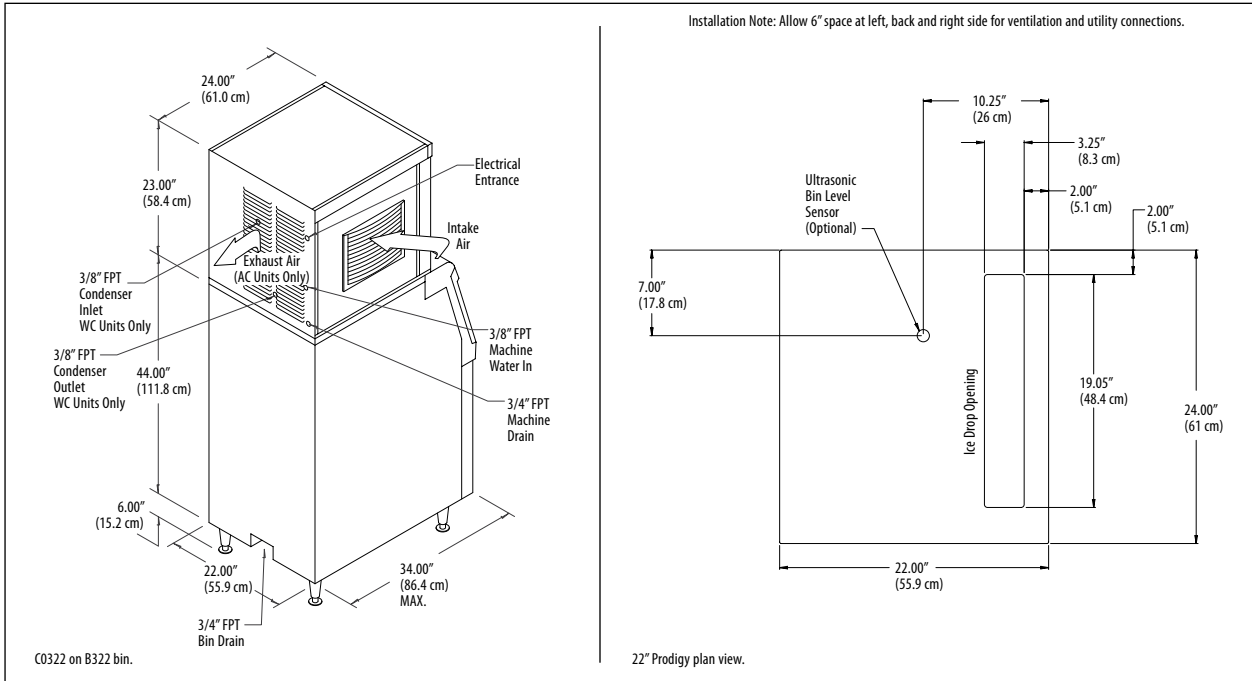
- 3 years parts and labor on all components.
- 5 years parts and labor on the evaporator.
- 5 years parts on the compressor and condenser.

Warranty valid in North, South & Central America.
Contact factory for warranty in other regions.

Scotsman™

The Smart Choice in Ice.™

C0322 – 300 lb Cube Ice Machine



Specifications

| Model Number* Cube Size: medium or small | Condenser Unit | Basic Electrical Volts/Hz/Phase | Max. Fuse Size or HACR Circuit Breaker (amps) | Circuit Wires | Min. Circuit Ampacity | Energy Consumption kWh/100 lb (45.4 kg) 90°F(32°C)/70°F(21°C) | Water Usage Gallons/100 lb (liters/45.4 kg) | | |
|---|----------------|------------------------------------|---|------------------|--------------------------|---|--|--|-------------|
| | | | | | | | Potable 90°F(32°C)/ 70°F(21°C) | Condenser 90°F(32°C)/ 70°F(21°C) | |
| CAN | C0322MA-1A | Air | 115/60/1 | 15 | 2 | 12.7 | 6.6 | 19.0/72.0 | - |
| | C0322MW-1A | Water | 115/60/1 | 15 | 2 | 11.9 | 4.7 | 18.3/69.4 | 138.0/523.3 |
| US | C0322SA-1A | Air | 115/60/1 | 15 | 2 | 12.7 | 6.6 | 19.0/72.0 | - |
| | C0322SW-1A | Water | 115/60/1 | 15 | 2 | 11.9 | 4.7 | 18.3/69.4 | 138.0/523.3 |

* 208-230/60/1 Voltage - Substitute "-32" in place of "-1", i.e. C0322SA-32A.

All Models

Dimensions (W x D x H):
Unit:
22" x 24" x 23"
(55.9 x 61.0 x 58.4 cm)

Shipping Carton:
25.5" x 27.5" x 28"
(64.8 x 69.9 x 71.1 cm)

Shipping Weight:
145 lb / 66 kg

BTUs per hour:
5,200

Accessories

| Model Number | Description |
|--------------|---|
| KVS | Vari-Smart™ Ice Level Control - Program ice bin levels to match ice needs. |
| KSB | Smart-Board™ Advanced Control - Use additional operational data for fast diagnosis. |
| KSB-N | Smart-Board™ Advanced Control with Network - Network capable. |

* Scotsman recommends all ice machines have water filtration. See Scotsman Sanitation Matrix for details.

Operating Requirements

| | Minimum | Maximum |
|--------------------|-------------------|-------------------|
| Air Temperatures | 50°F (10°C) | 100°F (38°C) |
| Water Temperatures | 40°F (4.4°C) | 100°F (38°C) |
| Remote Cond. Temps | -20°F (-29°C) | 120°F (49°C) |
| Water Pressures | 20 PSIG (1.4 bar) | 80 PSIG (5.5 bar) |
| Electrical Voltage | -10% | +10% |

Specifications and design are subject to change without notice.

Scotsman Ice Systems
775 Corporate Woods Parkway
Vernon Hills, IL 60061

1-800-SCOTSMAN
Fax: 847-913-9844
E-mail: customer.service@scotsman-ice.com

www.scotsman-ice.com

SCOTSMAN

22 INCH WIDE HOTEL/MOTEL ICE CUBE DISPENSER AND CUBER



HD22 shown with CME306 Cuber

22" HOTEL DISPENSER WITH ICE MACHINE

iceValet™

HD22 HOTEL DISPENSER

- Stores up to 120 lbs. of contour cube ice.
- New simple push chute for easy ice dispensing.
- Modern, stylish design in a stainless steel cabinet.
- Removeable top panel allows access to the bin for easy cleaning without having to remove the ice cube machine.
- Deep sink to accommodate almost every size hotel ice bucket.
- Equipped with 11 ft. power cord.

CM³ ICE MACHINES: CME306 & CME456

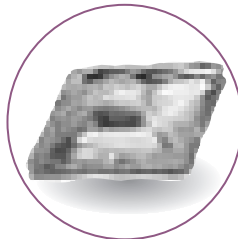
- CM³ series offers the lowest lifetime operating costs based on lower water and electrical usage. Combine that with a competitive purchase price and the best warranty in the industry and you have the lowest lifetime ownership cost. Period.
- AutoIQ™ Control System monitors and controls the ice machine's functions to ensure consistent ice production and reduce operating costs.
- CM³ Evaporator is a hot tin-dipped, molecularly bonded plate that has been field tested and proven 99.4% reliable over 5 years.
- Rust-free Polyethylene Base & Food Zone is insulated with 1-1/2" of foam which keeps water and food zone cool to reduce operating costs and is backed by a Lifetime Rust-free Warranty.

DISPENSER WARRANTY *See your dealer for complete warranty details.*

- 3 years parts and labor on all components.

CUBER WARRANTY *See your dealer for complete warranty details.*

- Limited Lifetime Rust Free Warranty on Food Zone.
- 3 years parts and labor on all components.
- 5 years parts and labor on the CME evaporator.
- 5 years parts on the compressor and condenser.



APPROX. CUBE SIZE:
1³/₈" X 1³/₈" X 5/₈" THICK



EASY PUSH CHUTE
FOR ICE DISPENSING

CERTIFIED
ISO
9001:2000

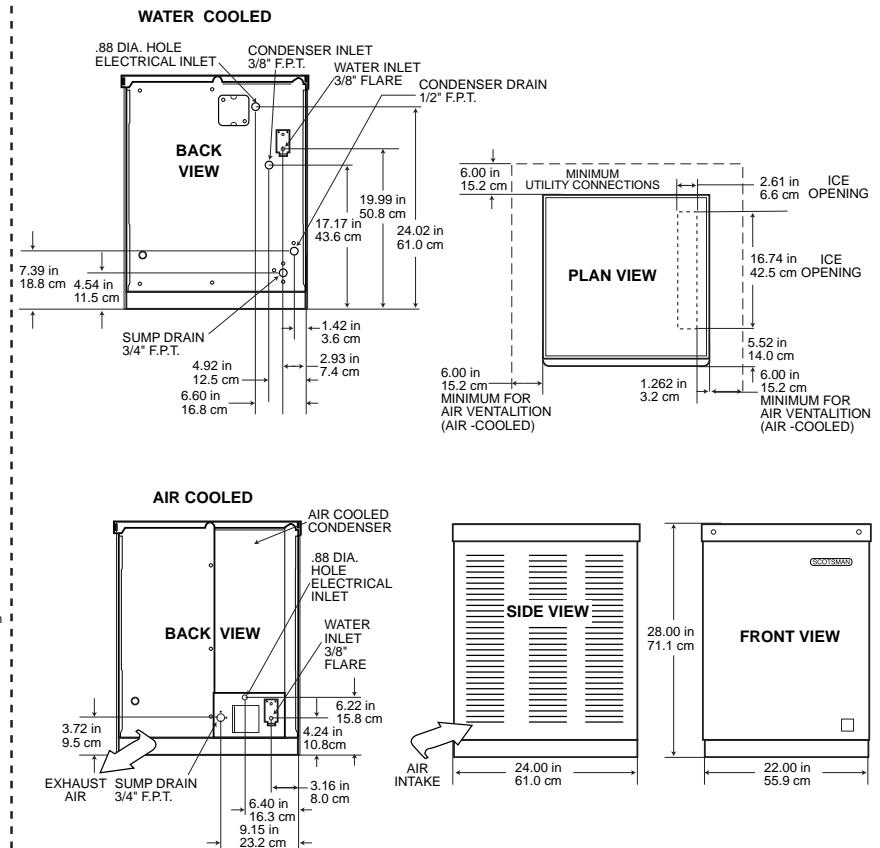
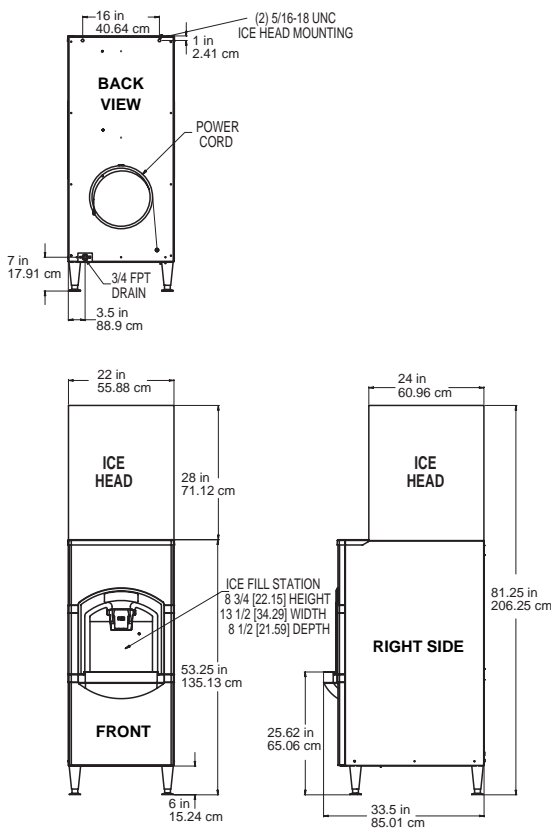


 **Scotsman**®

Hotel Dispenser/Ice Machine Specifications

DISPENSER

ICE MACHINE



INSTALLATION NOTE: Allow 6" minimum space at back and sides for ventilation and utility connections.

| Modular Cuber Specifications | | Dimensions: W x D x H 22" x 24" x 27" Shipping Carton: 25" x 27" x 31" | | | | | | | | | | | |
|------------------------------|----------------------------|--|-----------|--------------|----------|---------|---------------|---------------------|-------|-------------|--|-------------------------------|---------------------|
| Model Number | Ice Production -24 Hr. ARI | | Condenser | Electrical | Max Fuse | Comp HP | Circuit Wires | Minimum Circuit Amp | BTUs | Ship Weight | Power Consumption KWH/100 lbs. 90°/70° F | Water Usage Gallons / 100lbs. | |
| | 70°/50° F lbs./kg. | 90°/70° F lbs./kg. | | | | | | | | | | Potable 90°/70° F | Condenser 90°/70° F |
| CME306AS-1C | 340/154 | 260/118 | Air | 115/60/1 | 20 | 1/2 | 2 | 16.0 | 5,100 | 185/84 | 8.7 | 20.0 | N/A |
| CME306AS-32C | 340/154 | 260/118 | Air | 208-230-60/1 | 15 | 1/2 | 2 | 7.9 | 5,100 | 185/84 | 8.7 | 20.0 | N/A |
| CME306WS-1C | 330/150 | 295/134 | Water | 115/60/1 | 20 | 1/2 | 2 | 16.0 | 5,100 | 185/84 | 7.1 | 20.4 | 174 |
| CME456AS-1C | 480/218 | 400/182 | Air | 115/60/1 | 20 | 3/4 | 2 | 19.0 | 6,275 | 205/93 | 7.4 | 17.5 | N/A |
| CME456AS-32C | 480/218 | 400/182 | Air | 208-230/60/1 | 15 | 3/4 | 2 | 9.8 | 6,275 | 205/93 | 7.4 | 17.5 | N/A |
| CME456WS-1C | 496/225 | 454/206 | Water | 115/60/1 | 20 | 3/4 | 2 | 19.0 | 6,275 | 205/93 | 6.0 | 17.9 | 144 |

| Ice Dispenser Specifications Dimensions: W x D x H 22" x 33.5" x 53.25" Includes 6" legs Shipping Carton: 25.25" x 36.50" x 57.75" | | | | | | | |
|--|-----------|-------------------------|------------|--------------|---------------------|----------|-------------|
| Model Number | Actuation | ARI Bin Capacity lbs/kg | Electrical | No. of Wires | Minimum Circuit Amp | Max Fuse | Ship Weight |
| HD22B-1A | Push | 120/59 | 115/60/1 | 2 | 2.1 | 15 | 199/91 |

Overall Dimension (WxDxH) of the Cuber with the Dispenser is 22" x 33.5" x 80.25"

Scotsman's ice machines are not designed for outdoor installations. Scotsman remote condensers are designed for outdoor installations.

Machine requires voltage indicated on rating name plate. Failures caused by improper voltage are not considered factory defects. Extended periods of operation at temperatures exceeding limitations constitutes misuse under the terms of Scotsman Manufacturer's Limited Warranty, resulting in a loss of warranty coverage. Specifications and design are subject to change without notice.

IMPORTANT OPERATING REQUIREMENTS:

| | Minimum | Maximum |
|------------------------------|--------------|----------------|
| Air Temperatures | 50°F (10°C) | 100°F (37.7°C) |
| Water Temperatures | 40°F (4.4°C) | 100°F (37.7°C) |
| Water Pressures | 20 PSIG | 80 PSIG |
| Dispenser Electrical Voltage | -10% | +10% |

YOU'LL VALUE THE DIFFERENCE.™

775 Corporate Woods Parkway • Vernon Hills, IL 60061 • 1-800-SCOTSMAN • Fax: (847) 913-9844
 Visit our website at: www.scotsman-ice.com • E-mail: customer.service@scotsman-ice.com

