



## GLO-RAY® PIZZA WARMERS

Models GRPWS-2424, -3624, -4824 GRPWS-2418D, -3618D, -4818D, -2424D, -3624D, -4824D GRPWS-2418T, -3618T, -4818T, -2424T, -3624T, -4824T GRPWS-2418Q, -3618Q, -4818Q, -2424Q, -3624Q, -4824Q

Hatco has the perfect food warmer for holding boxed or bagged pizzas with the Glo-Ray® Pizza Warmer.

### FLEXIBILITY

The Hatco Glo-Ray GRPWS series allows the operator to keep pizza hot and fresh for convenient self-serve or quick-serve areas. These warmers are available in base only, dual, triple, or quadruple shelf models. Choose any combination of three widths and two depths.

All models are constructed of aluminum and stainless steel with tempered glass side panels; and feature slanted, heated, hardcoated aluminum shelves with stainless steel box stops for easy pass-through holding, sign holders, and 4" (102 mm) legs.

Each heat zone has a separate on-off switch and temperature control to accommodate a variety of pizzas. Bright annealed lamp reflectors with incandescent display lights illuminate the holding areas and emphasize product.

### QUALITY

The following features assure the finest performance for years to come:

- All models have thermostatically- controlled base heat to maintain optimum serving temperatures.
- A separate on-off switch and temperature control for each heat zone allows for the holding of a variety of pizzas.
- Available in base only, dual, triple, and quadruple shelves with various widths and depths.
- Coated shatter-resistant incandescent lights enhance product display while safe-guarding food products from bulb breakage.



Model GRPWS-2424



Model GRPWS-2418D  
(graphics not included)



Model GRPWS-2418Q  
(graphics not included)



ANSI/NSF 4

BLANKET ELEMENTS GUARANTEED AGAINST BURNOUT AND BREAKAGE FOR ONE YEAR.

HATCO CORPORATION P.O. Box 340500 Milwaukee, WI 53234-0500 U.S.A.  
(800) 558-0607 • (414) 671-6350 • Fax (800) 543-7521 • Int'l. Fax (414) 671-3976  
[www.hatcocorp.com](http://www.hatcocorp.com) • E-mail: [equipsales@hatcocorp.com](mailto:equipsales@hatcocorp.com)

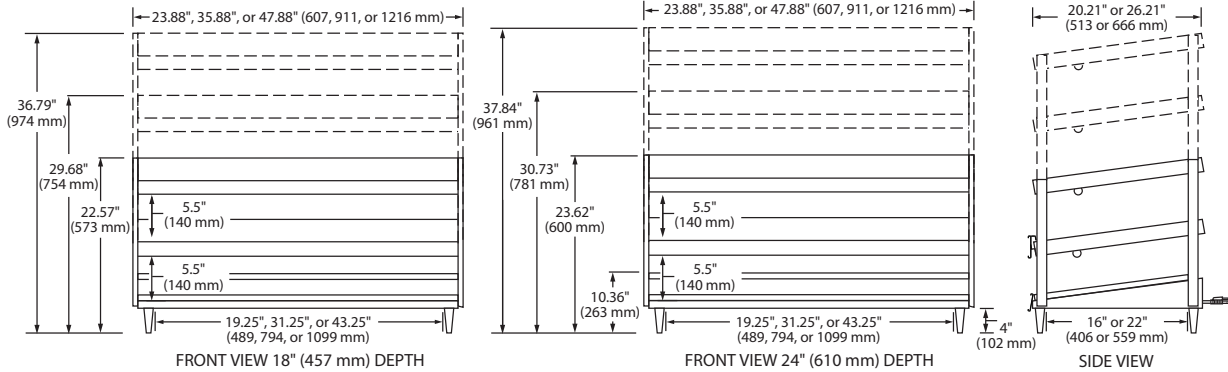
Form No. GRPWS Spec Sheet

Printed in U.S.A.  
June 2009



# GLO-RAY® PIZZA WARMERS

Models GRPWS-2424, -3624, -4824 GRPWS-2418D, -3618D, -4818D, -2424D, -3624D, -4824D GRPWS-2418T, -3618T, -4818T, -2424T, -3624T, -4824T GRPWS-2418Q, -3618Q, -4818Q, -2424Q, -3624Q, -4824Q



## SPECIFICATIONS

### Base Only Models – 24.19" (614 mm) Depth & 10.36" (263 mm) Height

Model	Width	Watts	Amps*	Shipping Weight
GRPWS-2424	22.85" ( 580 mm)	345	2.9	40 lbs. (18 kg)
GRPWS-3624	34.85" ( 885 mm)	505	4.2	44 lbs. (20 kg)
GRPWS-4824	46.85" (1190 mm)	660	5.5	55 lbs. (25 kg)

### Dual Shelf Models – 20.21" (513 mm) Depth & 22.57" (573 mm) Height

Model	Width	Watts	Amps*	Shipping Weight
GRPWS-2418D	23.88" ( 607 mm)	750	6.3	76 lbs. (35 kg)
GRPWS-3618D	35.88" ( 911 mm)	1068	8.9	106 lbs. (48 kg)
GRPWS-4818D	47.88" (1216 mm)	1370	11.4	136 lbs. (62 kg)

### Dual Shelf Models – 26.21" (666 mm) Depth & 23.62" (600 mm) Height

Model	Width	Watts	Amps*	Shipping Weight
GRPWS-2424D	23.88" ( 607 mm)	950	7.9	96 lbs. (44 kg)
GRPWS-3624D	35.88" ( 911 mm)	1342	11.2	136 lbs. (62 kg)
GRPWS-4824D	47.88" (1216 mm)	1716	14.3	177 lbs. (80 kg)

### Triple Shelf Models – 20.21" (513 mm) Depth & 29.68" (754 mm) Height

Model	Width	Watts	Amps*	Shipping Weight
GRPWS-2418T	23.88" ( 607 mm)	1125	9.4	98 lbs. (45 kg)
GRPWS-3618T	35.88" ( 911 mm)	1602	13.4	136 lbs. (62 kg)
GRPWS-4818T	47.88" (1216 mm)	2055	17.1	175 lbs. (80 kg)

### Triple Shelf Models – 26.21" (666 mm) Depth & 30.73" (781 mm) Height

Model	Width	Watts	Amps*	Shipping Weight
GRPWS-2424T	23.88" ( 607 mm)	1425	11.9	123 lbs. ( 56 kg)
GRPWS-3624T	35.88" ( 911 mm)	2013	16.8	175 lbs. ( 80 kg)
GRPWS-4824T*	47.88" (1216 mm)	2574	14.3	227 lbs. (103 kg)

### Quadruple Shelf Models – 20.21" (513 mm) Depth & 36.79" (934 mm) Height

Model	Width	Watts	Amps*	Shipping Weight
GRPWS-2418Q	23.88" ( 607 mm)	1500	12.5	119 lbs. (54 kg)
GRPWS-3618Q	35.88" ( 911 mm)	2136	17.8	167 lbs. (76 kg)
GRPWS-4818Q*	47.88" (1216 mm)	2740	11.4	214 lbs. (97 kg)

### Quadruple Shelf Models – 26.24" (666 mm) Depth & 37.84" (961 mm) Height

Model	Width	Watts	Amps*	Shipping Weight
GRPWS-2424Q	23.88" ( 607 mm)	1900	15.8	151 lbs. ( 69 kg)
GRPWS-3624Q*	35.88" ( 911mm)	2684	11.2	214 lbs. ( 97 kg)
GRPWS-4824Q*	47.88" (1216 mm)	3432	14.3	277 lbs. (126 kg)

\* Based on 120 volts, except where only available in 120/208-240V.

▼ Only available in 120V, single phase. \* Only available in 120/208-240V

## DIMENSIONS

### Base Only Models –

22.85" 34.85" or 46.85"W x 24.19"D x 10.36"H w/legs (580, 885, or 1190 x 614 x 263 mm).

### Dual Shelf Models –

23.88", 35.88", or 47.88"W x 20.21" or 26.21"D x 22.57" or 23.62"H w/legs (607 911, or 1216 x 513 or 666 x 573 or 597 mm).

### Triple Shelf Models –

23.88", 35.88", or 47.88"W x 20.21" or 26.21"D x 29.68" or 30.73"H w/legs (607, 911, or 1216 x 513 or 666 x 754 or 781 mm).

### Quadruple Shelf Models –

23.88", 35.88", or 47.88"W x 20.21" or 26.21"D x 36.79" or 37.84"H w/legs (607, 911, or 1216 x 513 or 666 x 934 or 961 mm).

## VOLTAGE

**Base Only Models:** 120 volts, single phase (uses NEMA 5-15P)

**Dual Shelf Models:** 120 volts, single phase (uses NEMA 5-15P, except GRPWS-4824D for Canada uses NEMA 5-20P).

**Triple Shelf Models:** GRPWS-2418T, -2424T: 120 volts, single phase (uses NEMA 5-15P).

**GRPWS-3618T:** 120 volts, single phase (uses NEMA 5-15P, Canada uses NEMA 5-20P).

**GRPWS-4818T, -3624T:** 120 volts, single phase (uses NEMA 5-20P, Canadian models available in 120/208 or 120/240 volts uses NEMA 14-20P).

**GRPWS-4824T:** 120/208 or 120/240 volts, single phase (uses NEMA 14-20P).

**Quadruple Shelf Models GRPWS-2418Q:** 120 volts, single phase (uses NEMA 5-15P, Canada uses NEMA 5-20P).

**GRPWS-3618Q:** 120 volts, single phase (uses NEMA 5-20P, Canadian models available in 120/208 or 120/240 volts uses NEMA 14-20P).

**GRPWS-2424Q:** 120 volts, single phase (uses NEMA 5-20P).

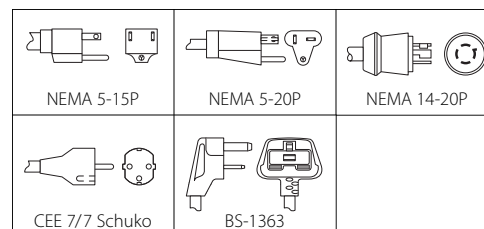
**GRPWS-4818Q, -3624Q, -4824Q:** 120/208 or 120/240 volts, single phase (uses NEMA 14-20P).

Export voltages available, consult factory.

## CORD LOCATION

Control side at right base side.

## PLUG CONFIGURATIONS



## OPTIONS (NOT FOR RETROFIT)

Designer Colors: Warm Red, Black, Gray Granite, White Granite, Navy Blue, Hunter Green, Antique Copper

Halogen Bulbs in lieu of Standard Display Lights

## PRODUCT SPECS

### Pizza Warmer

The Pizza Warmer shall be a Glo-Ray® Model ... rated at ... volts and ... watts, as manufactured by the Hatco Corporation, Milwaukee, WI 53234 U.S.A.

With 24/7 parts and service assistance (U.S. and Canada only), the warmer shall have ... heated shelves, tempered glass sides, hardcoated shelves with box stops and sign holders (excluding Base Models), incandescent display lights, and 4" (102 mm) legs. It shall include a temperature control and on-off switch for each heat zone. A factory-attached 6' (1829 mm) cord with plug.

**HATCO CORPORATION P.O. Box 340500 Milwaukee, WI 53234-0500 U.S.A. • (800) 558-0607 • (414) 671-6350**  
**Fax (800) 543-7521 • Int'l. Fax (414) 671-3976 • www.hatcocorp.com • E-mail: equipsales@hatcocorp.com**