



GLOBE FOOD EQUIPMENT COMPANY

Meat Choppers

CC12/CC22

Project	Item #	Quantity



CC12/CC22 Meat Choppers

Models

- CC12 #12 Meat Chopper
- CC22 #22 Meat Chopper



Standard Features

- Powerful 1 HP (CC12) or 1 1/2 HP (CC22) high torque motor
- Direct gear-driven transmission
- Stainless steel housing, cylinder, worm gear, adjusting ring and product tray
- Permanent grease lubricated gear box
- Manual reset motor overload protection
- Forward/reverse switch
- Compact size and seamless construction
- Capacity 250 lbs/hr (CC12) or 450 lbs/hr (CC22)
- Top-mounted handle
- Rubber feet
- Seven-foot cord and plug

Optional Accessories

- Stuffing Tube

Standard Warranty

- One-year parts and labor

Standard Accessories

- Knife
- Stainless steel product tray
- 1/4" (6mm) plate
- 5/16" (8mm) plate
- Plastic food pusher

Approved By: _____

Date: _____



GLOBE FOOD EQUIPMENT COMPANY
www.globeslicers.com

2153 Dryden Rd.
Dayton, OH 45439
Phone: 937-299-5493
Phone: 800-347-5423
Fax: 937-299-4147



Meat Choppers

CC12/CC22

Motor: 1 HP 8 amps (CC12) or 1 1/2 HP 16 amps (CC22), 115/60/1. Manual reset motor overload protection.

Transmission: Precision made gears and shafts, mounted on ball bearings. Permanent grease packed sealed gear box.

Switch: Conveniently mounted on side of machine, with Off, Forward and Reverse positions.

Construction: The seamless housing, cylinder, worm gear, adjusting ring and product tray are made of stainless steel for quick and easy cleaning. Rubber feet prevent the machine from moving during operation.

Capacity:
CC12: 250 lbs. of meat per hour
CC22: 450 lbs. of meat per hour

Cord and Plug: Attached is a seven-foot flexible 3-wire cord and plug that fits a grounded receptacle.

Specifications

Worm Speed: 170 RPM's

Standard Equipment: Knife, 1/4" and 5/16" plates, stainless steel product tray and plastic food pusher.

Optional Accessories (CC12):

- Stuffing Tube
- Plate sizes available for model CC12:

CP02-12	1/16"	(2mm)
CP04-12	5/32"	(4mm)
CP06-12	1/4"	(6mm)
CP08-12	5/16"	(8mm)
CP10-12	3/8"	(10mm)
CP12-12	1/2"	(12mm)
CP14-12	9/16"	(14mm)
CP16-12	5/8"	(16mm)
CP18-12	11/16"	(18mm)

***CP00-12** stuffing plate

* Important: This plate must be used when stuffing sausage casings.

Dimensions: (CC12)

Net weight: 66 lbs. (29.9 kgs.)
Shipping weight: 77 lbs. (34.8 kgs.)
Box Dimensions:
12"W x 18"D x 16"H
(30.5cm x 45.7cm x 40.6cm)
Overall Length: 16.5" (41.9cm)
Overall Width: 9.25" (23.5cm)
Overall Height : 16.66" (42.3cm)

Optional Accessories (CC22):

- Stuffing Tube
- Plate sizes available for model CC22:

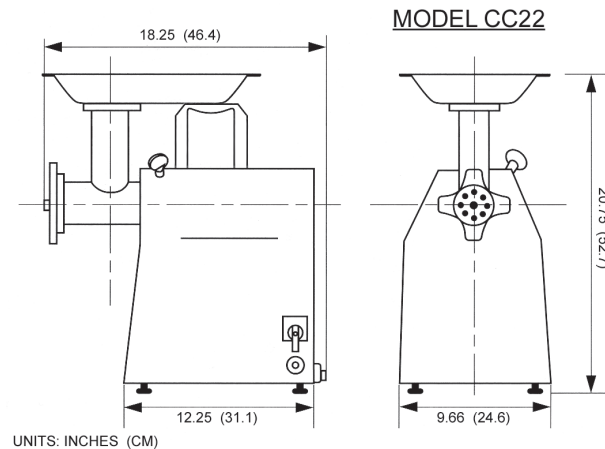
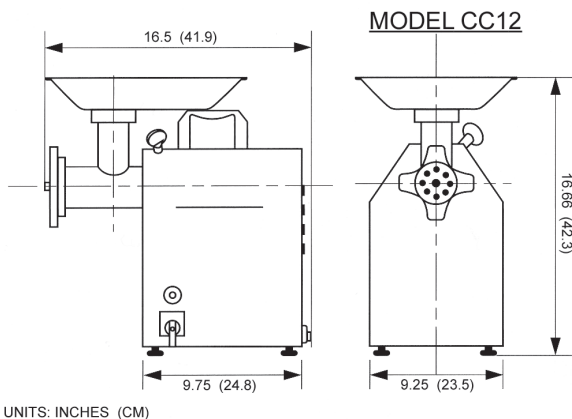
CP02-22	1/16"	(2mm)
CP04-22	5/32"	(4mm)
CP06-22	1/4"	(6mm)
CP08-22	5/16"	(8mm)
CP10-22	3/8"	(10mm)
CP12-22	1/2"	(12mm)
CP14-22	9/16"	(14mm)
CP16-22	5/8"	(16mm)
CP18-22	11/16"	(18mm)
CP20-22	3/4"	(20mm)

***CP00-22** stuffing plate

* Important: This plate must be used when stuffing sausage casings.

Dimensions: (CC22)

Net weight: 88 lbs. (39.9 kgs.)
Shipping weight: 95 lbs. (43 kgs.)
Box Dimensions:
15"W x 23"D x 23"H
(38.1cm x 58.4cm x 58.4cm)
Overall Length: 18.25" (46.4cm)
Overall Width: 9.66" (24.6cm)
Overall Height: 20.75" (52.7cm)



GLOBE FOOD EQUIPMENT COMPANY
www.globeslicers.com

2153 Dryden Rd.
Dayton, OH 45439
Phone: 937-299-5493
Phone: 800-347-5423
Fax: 937-299-4147

Printed in U.S.A. 3-2009