



Sunfire Gas Convection Ovens

Item: _____
 Quantity: _____
 Project: _____
 Approval: _____
 Date: _____

Sunfire Gas Convection Ovens

Models:

SDG-1

SDG-2



Model SDG-1

Standard Features:

- Electromechanical thermostat with a temperature range of 200°F - 500°F (93°C - 260°C), and 60-minute timer
- Electronic spark ignition, including automatic pilot system with 100% safety shut off
- Total of 80,000 BTU loading per oven cavity
- Natural or Propane
- Two-speed fan with 3/4 HP motor
- 60/40 dependent door design with double pane thermal window in both doors
- Porcelain enameled oven interior w/coved corners

- Five (5) chrome plated oven racks on 11-position, removable rack guides
- Interior lights
- Stainless steel front, sides, top, and legs
- Double-deck model available, (SDG-2)

Optional Features:

- Extra oven racks
- Swivel casters, set of four; two locking, (please specify single or double deck)
- Canopy flue diverter
- Direct connect vent, (specify single or double oven)

Specifications:

Full-size, deep depth, gas convection oven with electro-mechanical thermostat, 60-minute timer and 2-speed fan. Designed as a general purpose oven for baking or roasting a variety of food products faster and at lower temperatures by circulating air throughout the oven cavity.



Note: Ovens supplied with casters must be installed with an approved restraining device.

Garland
 1333 East 179th Street
 Cleveland, Ohio 44110
 Phone: 800-424-2411
 Fax: 800-624-0218

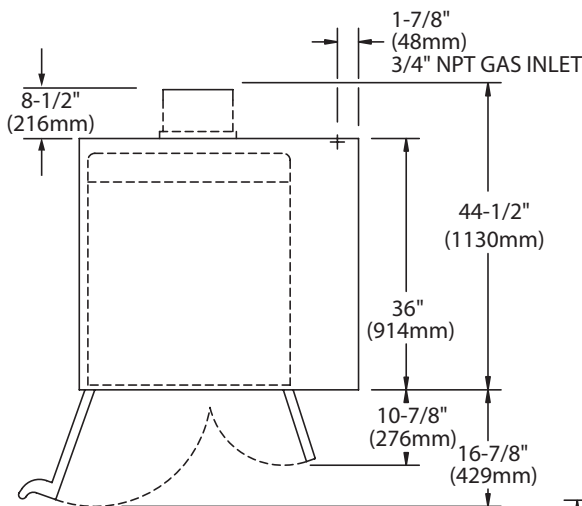
Garland Commercial Ranges Ltd
 1177 Kamato Road,
 Mississauga, Ontario
 L4W 1X4 CANADA
 Phone: 905-624-0260
 Fax: 905-624-5669



| Width | Depth | Height | | Oven Interior Dimensions | | | Combustible Wall Clearance | |
|-----------------|---------------------|-----------------|-----------------|--------------------------|--------------------|----------------|----------------------------|---------------|
| | | SDG-1 | SDG-2 | Height | Depth | Width | Sides | Rear |
| 40" (1016mm) | 44-1/2" (1130mm) | 62" (1575mm) | 74" (1880mm) | 20-1/2" (520mm) | 28-1/2" (723mm) | 29" (736mm) | 1" (25mm) | 6" (152mm) |

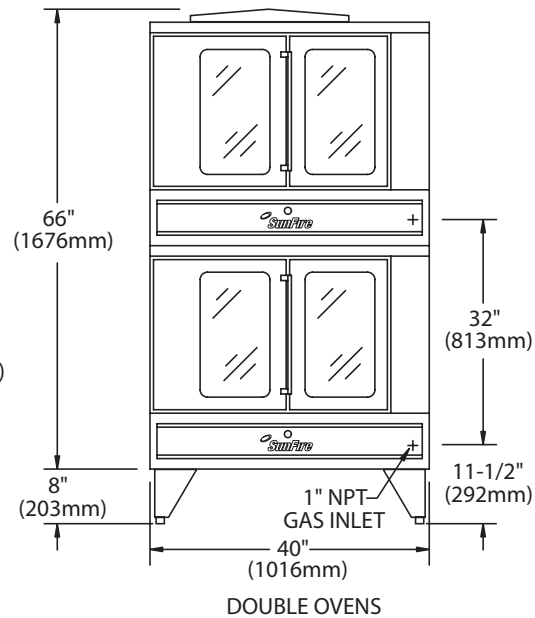
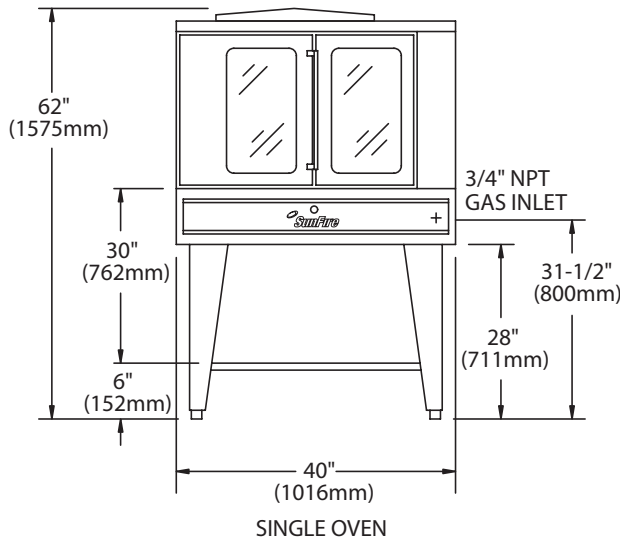
NOTE: SDG-1 w/Optional Casters - Overall Height = 67-1/2" (1715mm)
 SDG-2 w/Optional Casters - Overall Height = 73-1/2" (1867mm)
 Canopy diverter adds 4" (102mm) to the Overall Height

| Model | Total BTU Load | Operating Pressure | | | Electrical Characteristics | Shipping | |
|-------|----------------|--------------------|---------|--------------------|----------------------------|----------|-------|
| | | NAT | PRO | MAX | | Lbs./Lg | Cube |
| SDG-1 | 80,000 | 4" WC | 9.5" WC | 13.8" WC @ 70°F | 120VAC, 1Ø, 9.8 Amps | 565/255 | 58.0 |
| SDG-2 | 160,000 | | | | 2@120VAC, 1Ø, 9.8 Amps | 1130/510 | 114.0 |



| Model | Entry Clearances | |
|-------|------------------|----------|
| | Crated | Uncrated |
| SDG-1 | 47" | 32-1/2" |
| SDG-2 | (1194mm) | (826mm) |

- These appliances are intended for commercial use by professionally trained personnel.
- It is the responsibility of the installer to ensure that installation complies with all national and local codes.



Form# SDG (01/06/11)